

0.8 μ m SLD CAN AS8K215GY30M

Light Output power 5mW

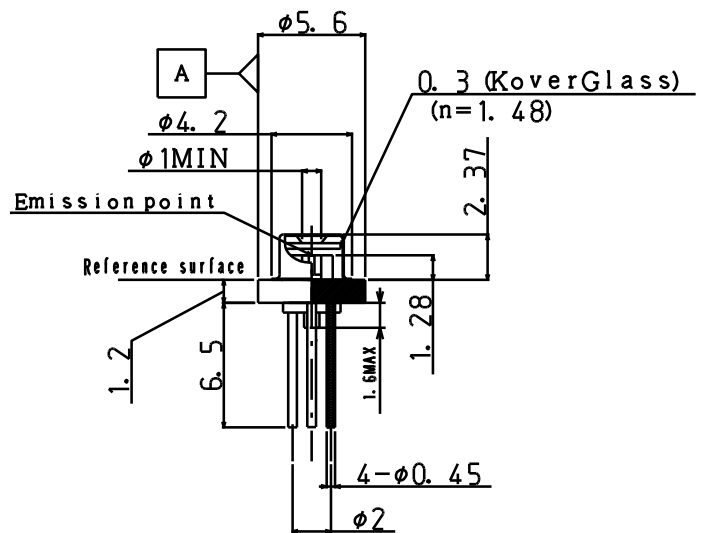
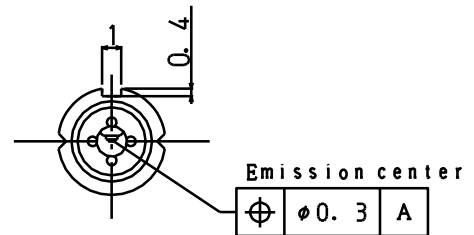
The AS8K215GY30M is SLD (Super-Luminescent Diode) module developed as incoherent light sources for various optical measurements including Optical Coherent Tomography (OCT). The device emits wide spectral incoherent light. High intensity in a narrow radiation angle makes high efficient optical coupling to a single mode fiber.

FEATURES

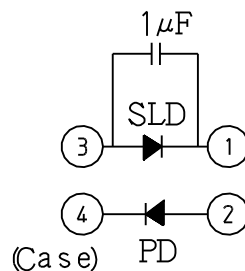
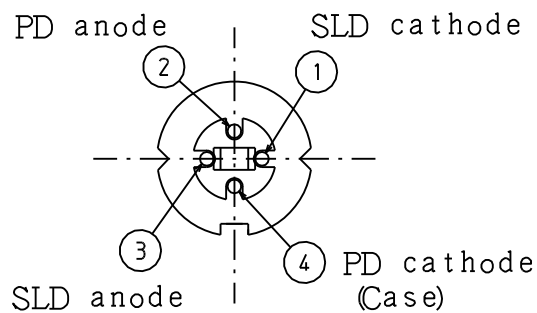
- Φ 5.6 CAN package
- High optical output $P_o = 5mW$
- Wide spectral half width $\Delta \lambda = 15nm$ (Typ.)
- Built-in monitor photo diode

APPLICATIONS

- Optical sensor / Optical encoder
- Optical Coherent Tomography (OCT)
- Optical measurement
- Substitute for high power LED



Dimensions (unit: mm)



Pin configuration

ABSOLUTE MAXIMUM RATINGS

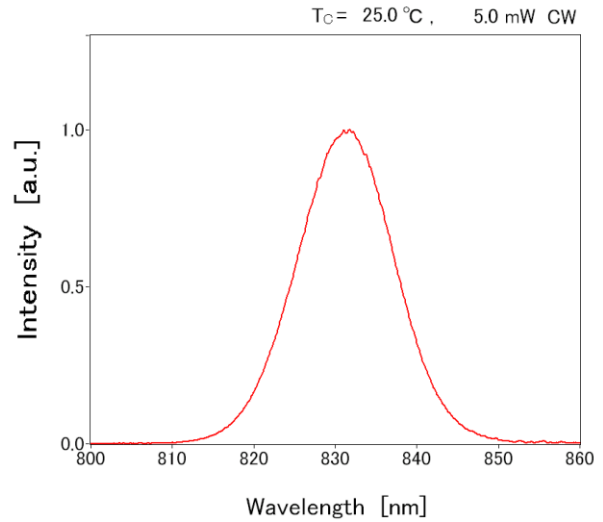
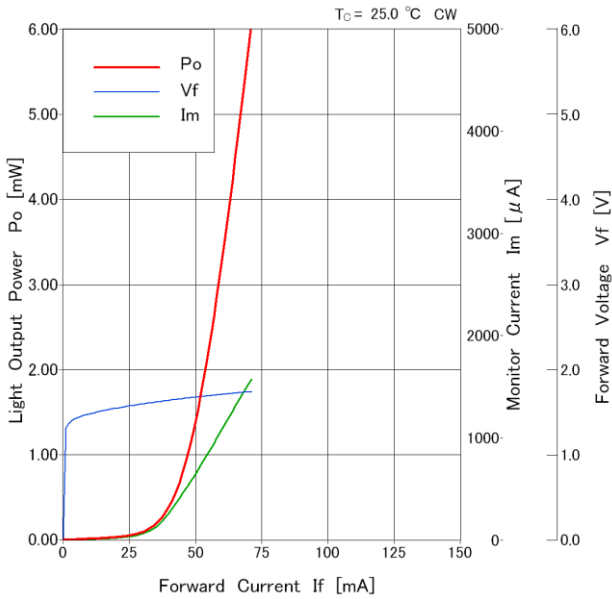
Item	Symbol	Rating	Unit
SLD Reverse Voltage	V_R	2.0	V
Optical Output Power	P_o	6	mW
SLD Forward Current	I_F	120	mA
PD Reverse Voltage	V_{RD}	15	V
Operating Case Temperature	T_C	-20 to +70	°C
Storage Temperature	T_{stg}	-40 to +80	°C

OPTICAL AND ELECTRICAL CHARACTERISTICS (T_C=25°C)

Item	Symbol	Test Condition	Min.	Typ.	Max.	Unit
SLD Forward Current	I_F	$P_o = 5 \text{ mW}$		70	100	mA
SLD Forward Voltage	V_F	$P_o = 5 \text{ mW}$		2.0	2.5	V
Center Wavelength	λ_c	$P_o = 5 \text{ mW}$	810	830	850	nm
Spectral Half Width	$\Delta\lambda$	$P_o = 5 \text{ mW}$	10	15		nm
Spectral Modulation	M_d	$P_o = 5 \text{ mW}$		2	10	%
PD Monitor Current	I_m	$P_o = 5 \text{ mW}, V_{RD} = 5\text{V}$	0.2	1.5	2.2	mA
Parallel Beam Divergence	$\theta_{//}$	$P_o = 5 \text{ mW}$		15		deg
Perpendicular Beam Divergence	θ_{\perp}	$P_o = 5 \text{ mW}$		45		deg

AS8E215GY30M TYPICAL CHARACTERISTICS

Light Output Power / Monitor Current / Forward Voltage – Forward Current Characteristics / Emission Spectrum



CAUTION : Handle the fiber of the enclosed device(s) with extreme care ; glass fiber is subject to breakage if mishandled and permanent damage to the device may result. Do not pull the device by the fiber or protective sleeve.
Do not coil the fiber into a loop of than 30 mm in radius.

SEMICONDUCTOR LASER

DANGER

INVISIBLE LASER RADIATION
AVOID EYE OR SKIN EXPOSURE TO
DIRECT OR SCATTERED RADIATION

OUTPUT POWER 500mW
WAVELENGTH 0.80 to 1.80 μm
CLASS IIIb LASER PRODUCT

AVOID EXPOSURE
Invisible laser radiation is emitted from this aperture

Caution - use of controls or adjustments or performance of procedures other than those specified herein may result in hazardous radiation exposure.
This Product Complies with 21 CFR 1040.10 and 1040.11
Manufactured Anritsu Corp. 5-1-1 Onna, Atsugi-shi, Kanagawa, Japan

Please contact following local office for the quotation and order.
Anritsu Corporation reserves the right to change the content of the catalog at any time without notice.

ANRITSU CORPORATION
DEVICES SALES DEPARTMENT
ANRITSU DEVICES CO., LTD.
OVERSEAS MARKETING DEPT.

Tel +81 46 296 6783 fax +81 46 225 8390
5-1-1 Onna, Atsugi-shi, Kanagawa
243-0032 Japan

URL: <https://www.anritsu.com/anritsu-devices>

This product and its manuals may require an Export License / Approval by the Government of the product's country of origin for re-export from your country. Before re-exporting the product or manuals, please contact us to confirm whether they are export-controlled items or not. When you dispose of export-controlled items, the products / manuals need to be broken / shredded so as not to be unlawfully used for military purpose.

